

FE2owlet-ECblue

for three phase alternating current, 380-480 V

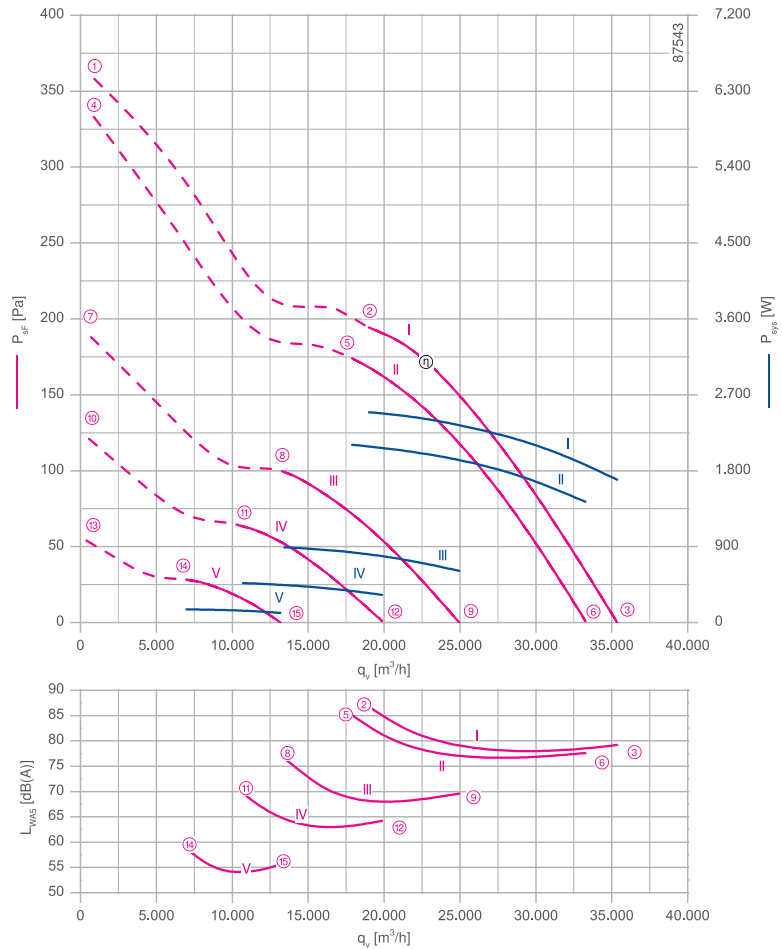
FN100



Description

Motor technology: EC
 Rated voltage U_N : 3- 380-480 V*
 Rated frequency f_N : 50/60 Hz*
 Input power P_{sys} : 2.50 kW*
 Rated current I_N : 4.00- 3.20 A*
 Rated speed n_N : 850 min⁻¹*
 Thermal class: THCL155*
 Min. permitted ambient temperature $t_{R(min)}$: -35 °C
 Max. permitted ambient temperature $t_{R(max)}$: 55 °C
 Electrical connection: integrated Controller
 Number of blades: 5
 Protection class: IP54
 Motor protection: Integrated active temperature management
 Blades: Aluminium, uncoated
 Rotor: Steel, 2 coat paint, ultramarine blue
 Conformity: ErP 2015, CE, UL
ErP-data
 Efficiency η_{statA} : 48.7 %
 Efficiency: $N_{actual} = 52.7 / N_{target} = 40^{**}$
 EC controller integrated
 * Rated data
 **ErP 2015

Characteristic curve



Measured in full bell mouth without guard grille in installation type A according to ISO 5801

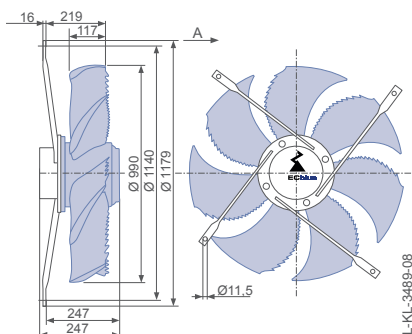
Connection diagram Page 530
1360-403

System components Page 430

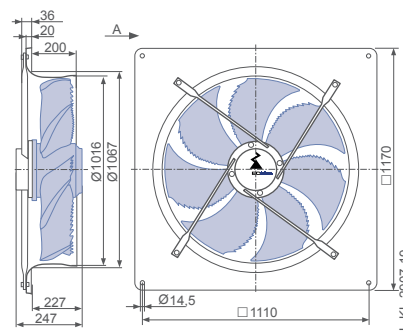
Dimensions mm

Airflow direction A

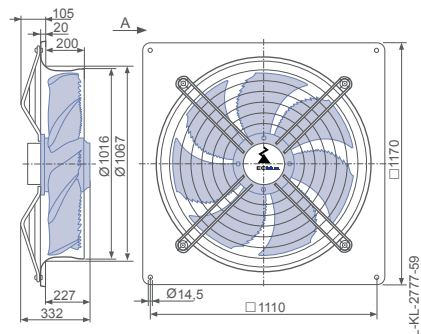
Design D - axial bolted, suspension for full bell mouth, without guard grille



Design Q - square full bell mouth, without guard grille



Design Q - square full bell mouth, guard grille suction side









Performance data

Type	Characteristic curve	Speed	Operating point	Current	Input power	Suction side sound power level L_{WAS} dB(A)	Maximum ambient temperature t_R °C
		n min^{-1}		I A	P_{sys} W		
FN100-ZL_GL_5P1	I	850	①	5.40	3600	87	55
			②	3.80	2500		
			③	2.60	1700		
	II	800	④	5.00	3300	79	60
			⑤	3.20	2100		
			⑥	2.20	1450		
	III	600	⑦	2.10	1350	78	70
			⑧	1.45	900		
			⑨	1.05	620		
	IV	480	⑩	1.20	700	77	70
			⑪	0.86	460		
			⑫	0.68	330		
	V	320	⑬	0.54	230	70	64
			⑭	0.42	160		
			⑮	0.36	110		

Current values determined at 400V

Fan ordering information

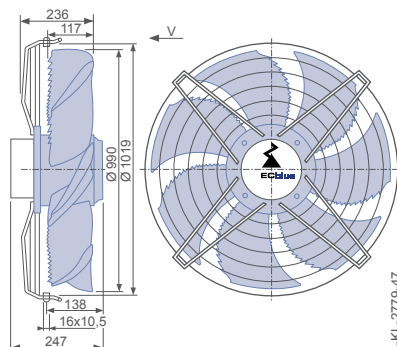
Design	Airflow direction A			Airflow direction V		
	D (without guard grille)	Q (without guard grille)	Q (guard grille suction side)	S (guard grille pressure side)	I (guard grille pressure side)	Q (guard grille pressure side)
						
Type Article no.	FN100-ZID.GL.A5P1 154879	FN100-ZIQ.GL.A5P1 154883	FN100-ZIQ.GL.A5P1 154887	FN100-ZIS.GL.V5P1 154859	FN100-ZII.GL.V5P1 154867	FN100-ZIQ.GL.V5P1 154871
Weight kg	36.60	56.10	60.70	42.20	41.70	60.90

Control technology

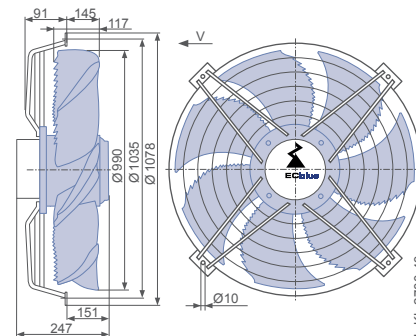
Control modules	Add-on modules	Operating terminal
 Page 452	 Page 463	 Page 472

Airflow direction V

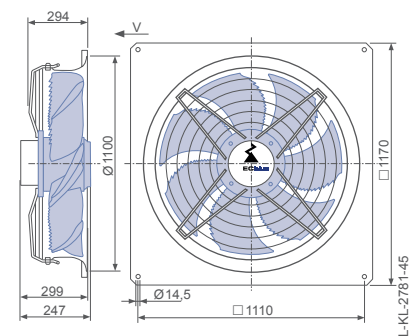
Design S - radially bolted, mounted for short bell mouth, guard grille pressure side



Design I - axial bolted, mounting for bell mouth flange, guard grille pressure side



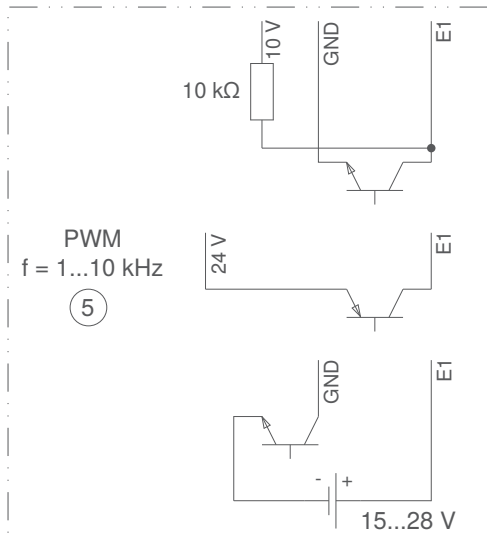
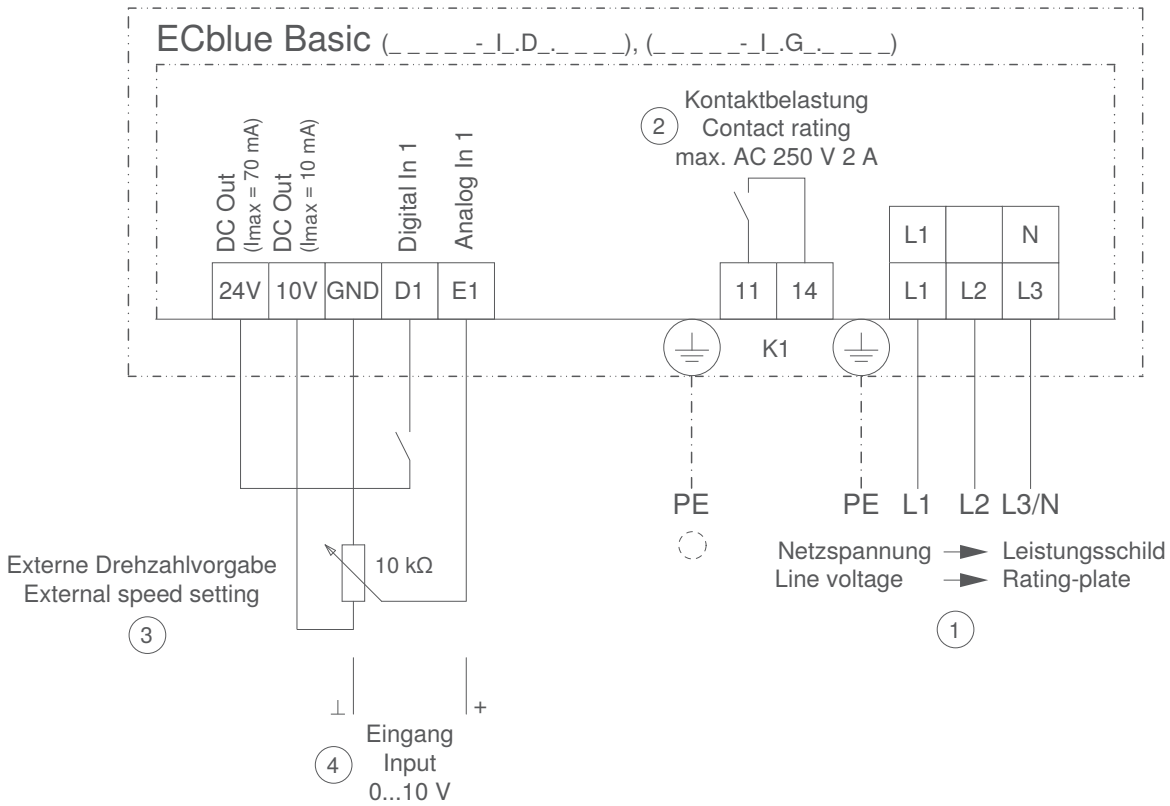
Design Q - square full bell mouth, guard grille pressure side



Connection diagrams

EC-Technology

1360-403 (EC116 / EC152)



MOEA03K1
 25.05.2012

- ① line voltage
- ② contact load
- ③ external speed setting
- ④ input
- ⑤ PWM